



DATA SHEET FOR WEATHER PROOF PUSH BUTTON STATION (LCS) DIRECT ENTRIES

TECHNICAL DATA:

- PRODUCT : CAT NO.- LCS / 105
- PROTECTION : WEATHER PROOF IP – 66 AS PER IS/IEC 60529:2001
- CERTIFICATION : CIMFR,
- TEMP CLASS : T6
- MATERIAL : DIE CAST ALUMINIUM ALLOY
- FINISH : EPOXY POWDER COATED SHADE AS PER IS : 5
- EARTHING : 1 No INTERNAL & 2 No's EXTERNAL
- HARDWARE : STAINLESS STEEL
- GASKET : 'O' RING ENDLESS GASKET NEOPRENE / SILICON
- NAME PLATE : SS NAME PLATE CUM WARNING PLATE
- ENTRIES : 2 Nos M20 / ½ " NPT / EQUIVALENT / UP TO M25

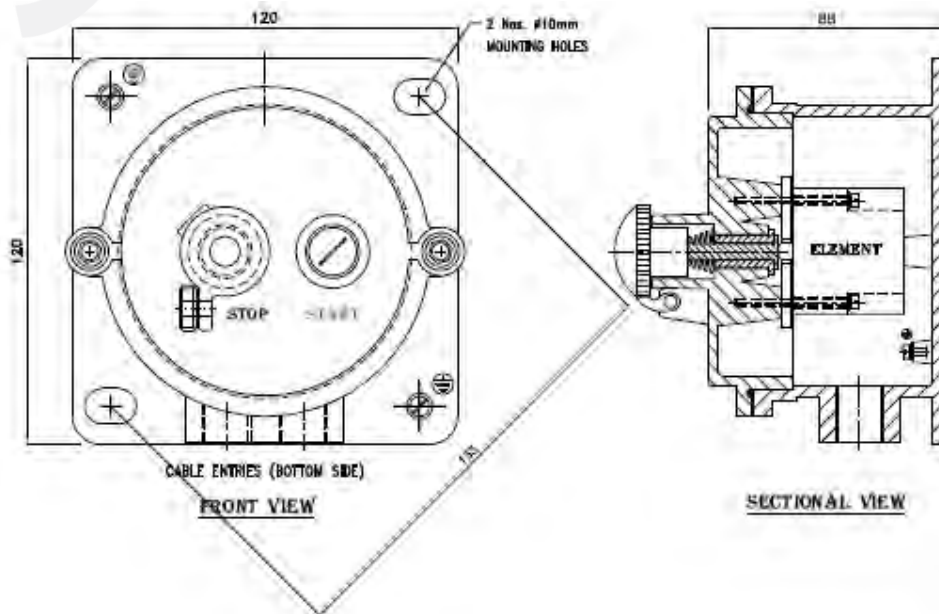


OPTIONS

SR. NO	PARTICULAR	OPTIONS
1.	MATERIAL OF CONSTRUCTION	STAINLESS STEEL / CRCA /MS
2.	GLAND & PLUG	BRASS / SS / ALUMINIUM
3.	COLOUR SHADE	631, 632, 355, 7031, 7032 etc.
4.	ELEMENT	1 NO / 1 NC OR AS PER CUSTOMER REQUIREMENT
5.	CANOPY	M.S POWDER COATED/ FRP / GI

SELECTION CHART

SR.NO	COMBINATION
1.	ONLY EMERGENCY OFF
2.	ONLY OFF
3.	ON/OFF
4.	ON/OFF WITH INDICATION LAMP
5.	REVERSE FORWARD STOP



NOTE:- PERMUTATION & COMBINATION OR COMPONENTS / ENTRIES AS PER CUSTOMER REQUIREMENT